

**MPK20**



**NEW**

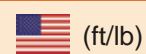
**LIFT ANYWHERE YOU NEED!**



UNIQUE PRODUCT IN ITS CATEGORY  
TELESCOPIC SYSTEM WITH INTERNAL CYLINDERS  
QUICK COUPLING AND A WIDE RANGE OF ACCESSORIES



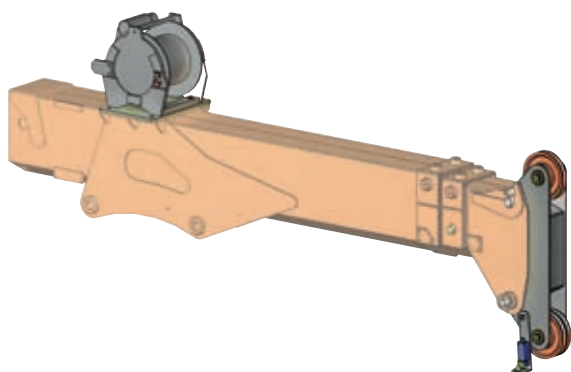
UNI EN 13000  
ANSI/ASME B30.5-2004



## MPK 20 ACCESSORIES

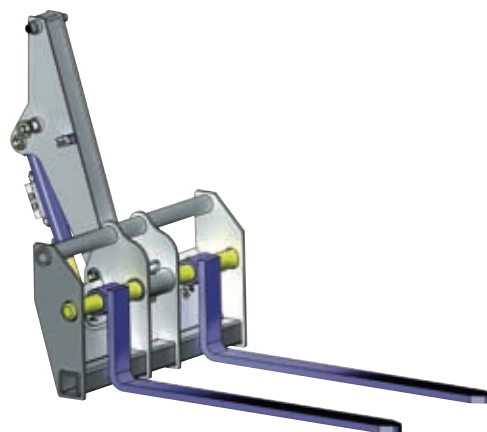
### W600.60

1322 lbs Winch, Ø7 196 ft antitwist rope, 3 pulley winch head



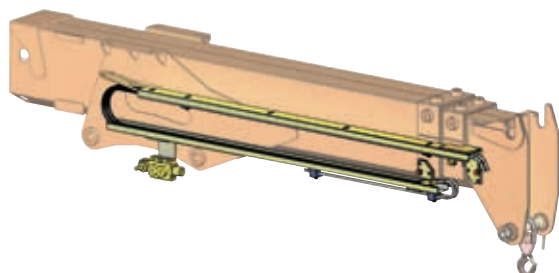
### F-1000

Hydraulic levelling forks



### HA

Hydraulic and electrical plugs on tip



### RC-I550Z3

Multifunction wireless remote control, Battery charger on board



### JIB500M

1100 lb SWL - 2' 7" long

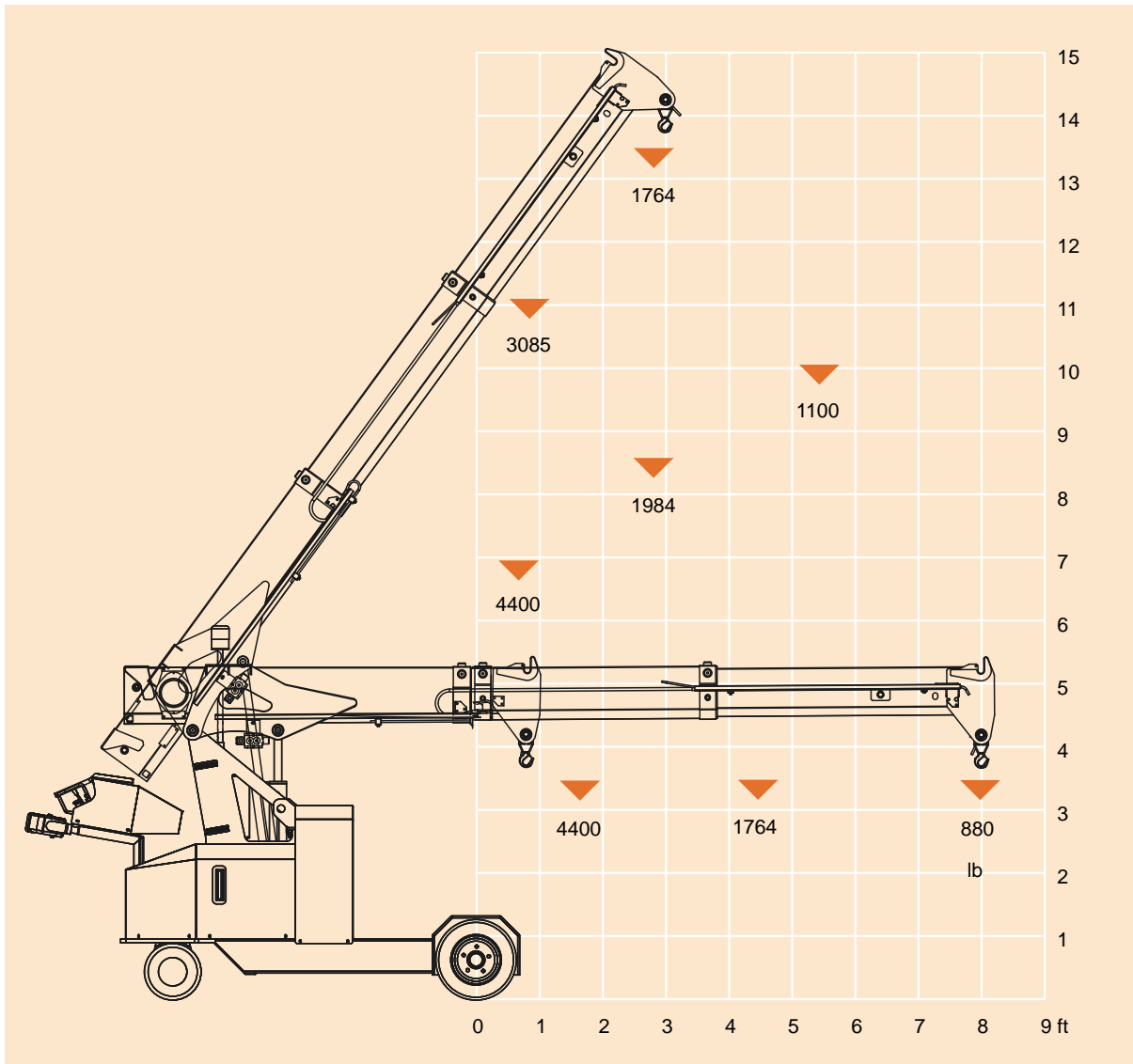


### 2FP-D7

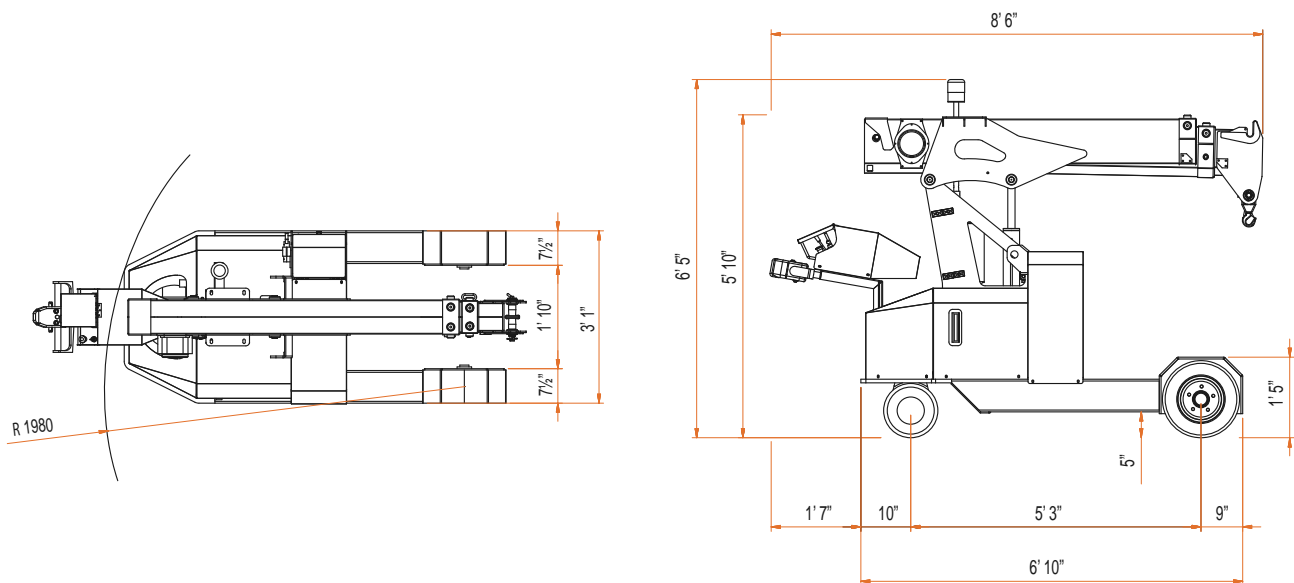
1 pulley Ø7 block max load 2.2 ton



MPK 20 **LOADING DIAGRAM**



JIB600M







## TECHNICAL SHEET

Dimensions	8' 6"x 3' 1"x 5' 10"	ft
Weight (Std Equipment)	4300	lbs
Maximum SWL	4400	lbs
Controls Drive system	electrical & proportional	
Steering control	manual	
Motor	24V-AC asynchron	
Back Wheel	Vulcollan 11x5	
Front Wheel	16x16x8" superelastic	
Travel speed	0-3	km/h
Crane control	manual	
Crane pump	3kW 24V-DC	
Boom Elevation	-25/+50	°
Telescope	5' 8" - 13' 7"	ft

### Standard Equipment

1 and 2 hydraulic extensions, LMI, Battery box 24V-345Ah, Battery charger 110V-24V.30A, Working light, No marking wheels, Fire extinguisher

## WHEELS LOAD

	ft	8"	1' 7"	3' 3"	4' 11"	6' 6"	8' 2"
	lbs	0	4400	2200	1764	1322	880
	lbs	2200	330	440	220	220	396
	lbs	1047	4300	3030	3030	2700	2392

**Notes:** All specifications and features herein described can be changed without prior advice. All indicated data are indicative only and are not binding as crane performs differently depending on its use.