

SPD360C



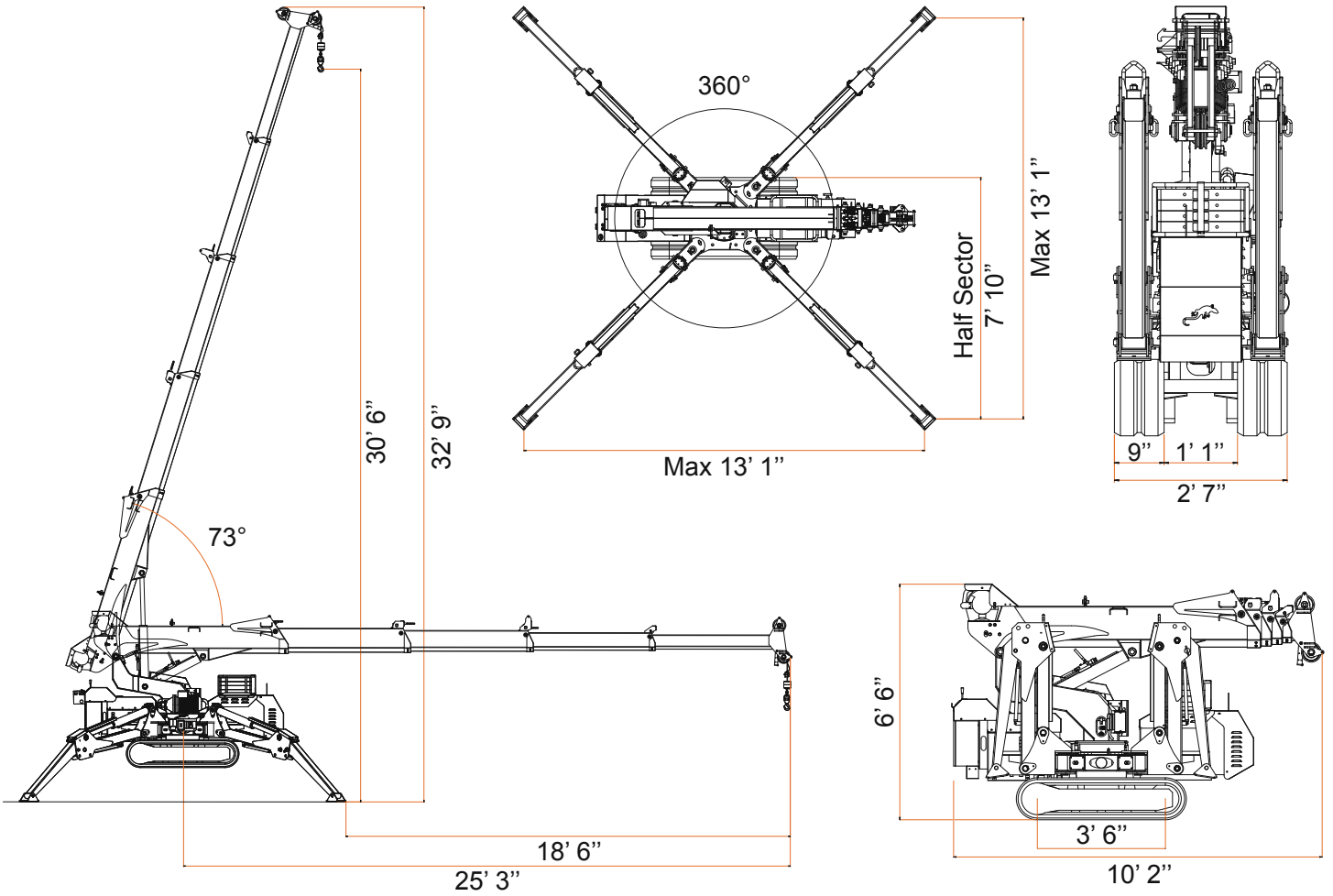
LIFT ANYWHERE YOU NEED!

CE

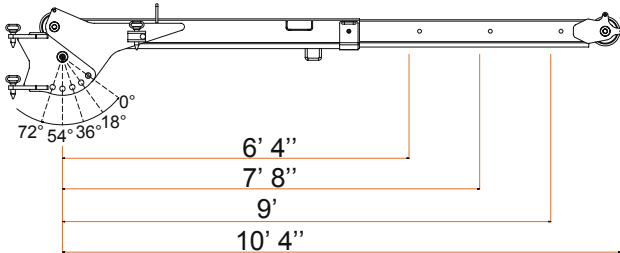
UNI EN 12999
ANSI/ASME B30.5-2004

 (ft/lbs)

SPD360C



JIB600M



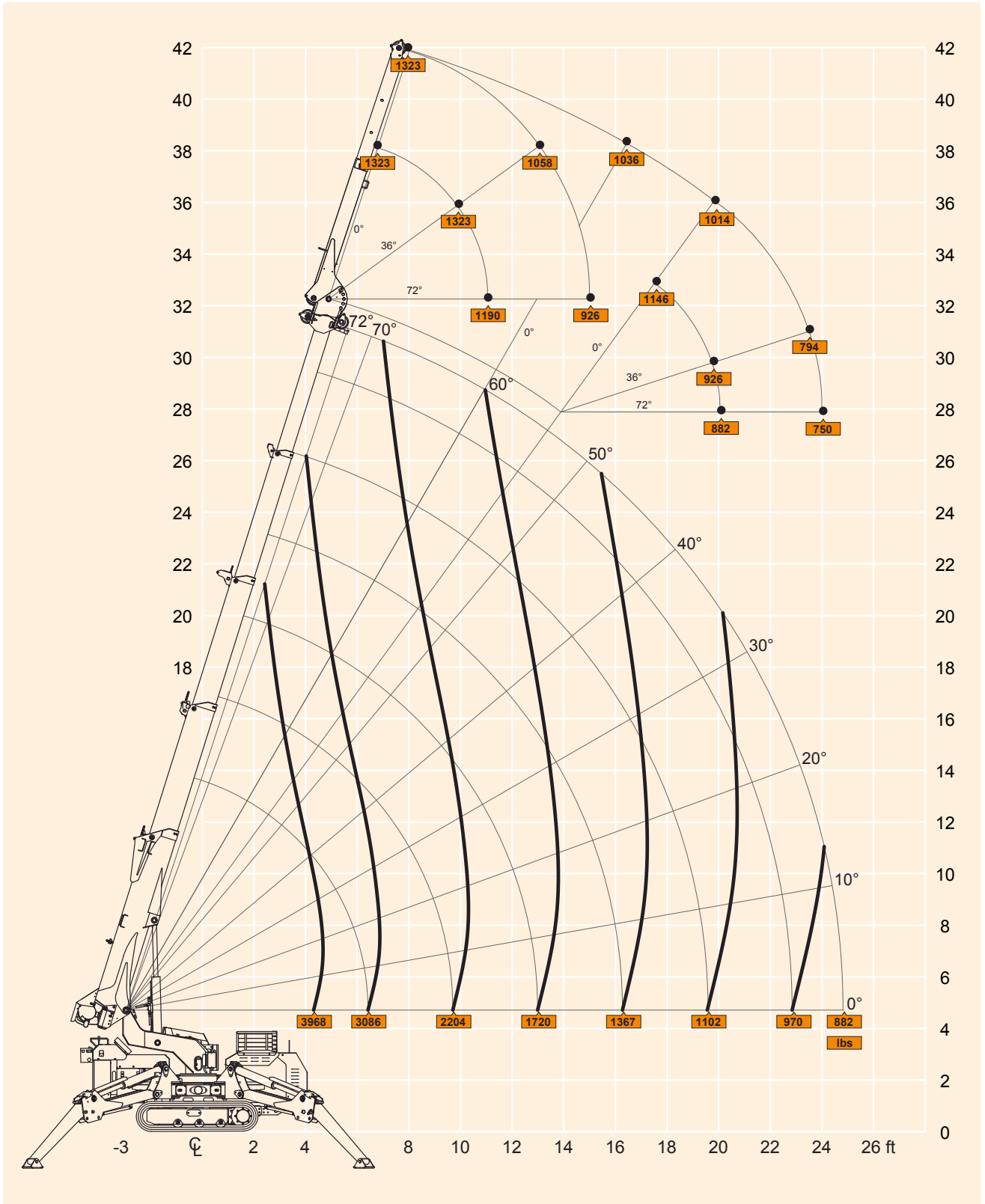
TECHNICAL SHEET

Weight	198 lbs
Max. SWL	1322 lbs
Tilting	0°, 18°, 36°, 54°, 72°



Imai srl via Campardone, 7 Z.I. 31014 Colle Umberto TV Italy
 tel. +39 0438.430171 fax +39 0438.430115
 www.imai.it • www.jekko.it • info@jekko.it

SPD360 LOADING DIAGRAM



TECHNICAL SHEET

Dimensions	10' 2" x 2' 7" x 6' 6"	ft
Weight	5485	lbs
Loading momentum	31,102	lbs-ft
Maximum SWL	3968	lbs
Rotation	360	°
Tilting	-2/+73	°
Max SWL for winch-single fall	1322	lbs
Winch rope length	192	ft
Controls	electrical & proportional	
Drive system	hydrostatic	
Max gradient	20	°
Track area	3' 6" x 9'	ft
Max track loading	6,25	PSI
Outriggers	hydraulic, multi position	
Max outrigger load	4188	lbs

Standard Equipment

Stability control system (SCS), Pressure relief valves, Overcentre lock valves, n°4 Outrigger pads, Battery charger, Remote control, Winch load limiter

Optional Equipment

220V - 1 phase power pack, color, Double pulley block, No marking tracks, Jib 600M, 1 person manbasket

SPD 360 C+

Motor	24 V-DC SEP
Speed	4
Battery capacity	n° 4 6V-350Ah
Motor power	3 kW
Electrical system voltage	24 V

Notes: All specifications and features herein described can be changed without prior advice. All indicated data are indicative only and are not binding as crane performs differently depending on its use.